

32-bit Single Chip Microcontroller

- Arm® 32-bit RISC CPU core Cortex®-M0+
- Embedded 72SEG × 32COM LCD driver
- Embedded 512K-byte Flash memory and 128K-byte RAM
- Various interfaces such as UART, QSPI, I²C, and USB that support DMA transfer

DESCRIPTIONS

The S1C31W74 is a 32-bit MCU with an Arm® Cortex®-M0+ processor included that features low-power operation. It incorporates an LCD driver capable of driving up to a 2,304-dot LCD panel, a large-capacity Flash memory, and a lot of serial interface circuits. The S1C31W74 is suitable for various kinds of battery-driven controller applications.

FEATURES

Model	S1C31W74
CPU	
CPU core	Arm® 32-bit RISC CPU core Cortex®-M0+
Other	Serial-wire debug ports (SW-DP) and a micro trace buffer (MTB) included
Embedded Flash memory	
Capacity	512K bytes (for both instructions and data)
Erase/program count	1,000 times (min.) * When being programmed by the dedicated flash loader
Other	On-board programming function Flash programming voltage can be generated internally.
Embedded RAMs	
General-purpose RAM	128K bytes (shared with MTB)
Display RAM	704 bytes
Instruction cache	512 bytes
DMA controller (DMAC)	
Number of channels	4 channels
Data transfer path	Memory to memory, memory to peripheral, and peripheral to memory
Transfer mode	Basic, ping-pong, scatter-gather
DMA trigger source	UART2, SPIA, QSPI, I ² C, USB, T16B, SNDA, and software
Clock generator (CLG)	
System clock source	4 sources (IOSC/OSC1/OSC3/EXOSC)
System clock frequency (operating frequency)	V _{D1} voltage mode = mode0: 21 MHz (max.) V _{D1} voltage mode = mode1: 2.1 MHz (max.)
IOSC oscillator circuit (boot clock source)	V _{D1} voltage mode = mode0: 20/16/12/8/2/1 MHz (typ.) software selectable V _{D1} voltage mode = mode1: 2/1 MHz (typ.) software selectable 10 μs (max.) starting time (time from cancelation of SLEEP state to vector table read by the CPU)
OSC1 oscillator circuit	32.768 kHz (typ.) crystal oscillator Oscillation stop detection circuit included
OSC3 oscillator circuit	20.5 MHz (max.) crystal/ceramic oscillator
EXOSC clock input	21 MHz (max.) square or sine wave input
Other	Configurable system clock division ratio Configurable system clock used at wake up from SLEEP state Operating clock frequency for the CPU and all peripheral circuits is selectable.
I/O port (PPORT)	
Number of general-purpose I/O ports	71 bits (max.) Pins are shared with the peripheral I/O.
Number of input interrupt ports	67 bits (max.)
Number of ports that support universal port multiplexer (UPMUX)	24 bits A peripheral circuit I/O function selected via software can be assigned to each port.
Timers	
Watchdog timer (WDT2)	Generates NMI or watchdog timer reset. Programmable NMI/reset generation cycle
Real-time clock (RTCA)	128–1 Hz counter, second/minute/hour/day/day of the week/month/year counters Theoretical regulation function for 1-second correction Alarm and stopwatch functions
16-bit timer (T16)	4 channels Generates the SPIA and QSPI master clocks.
16-bit PWM timer (T16B)	2 channels Event counter/capture function PWM waveform generation function Number of PWM output or capture input ports: 2 ports/channel

S1C31W74

Model	S1C31W74
Supply voltage detector (SVD2)	
Number of channels	2 channels
Detection level	32 levels (1.7 to 4.3 V)
Other	Intermittent operation mode Generates an interrupt or reset (Ch.0) according to the detection level evaluation.
Serial interfaces	
UART (UART2)	2 channels Baud-rate generator included, IrDA1.0 supported Open drain output, signal polarity, and baud rate division ratio are configurable.
Synchronous serial interface (SPIA)	1 channel 2 to 16-bit variable data length The 16-bit timer (T16) can be used for the baud-rate generator in master mode.
Quad synchronous serial interface (QSPI)	1 channel Supports single, dual, and quad transfer modes. Low CPU overhead memory mapped access mode that can directly read data from the external flash memory with XIP (eExecute-In-Place) mode.
I ² C (I2C) *1	2 channels Baud-rate generator included
USB 2.0 FS device controller (USB)	
Number of transceiver/receiver channels	1 channel
Transfer rate	FS (12 Mbps)
Clock source	48 MHz crystal oscillator or OSC3 (12 MHz) + PLL selectable
Number of endpoints	4 endpoints (3 general-purpose endpoints and endpoint 0)
Power supply	Voltage regulators for USB included
Sound generator (SNDA)	
Buzzer output function	512 Hz to 16 kHz output frequencies One-shot output function
Melody generation function	Pitch: 128 Hz to 16 kHz ≈ C3 to C6 Duration: 7 notes/rests (Half note/rest to thirty-second note/rest) Tempo: 16 tempos (30 to 480) Tie/slur may be specified.
IR remote controller (REMC2)	
Number of transmitter channels	1 channel
Other	EL lamp drive waveform can be generated (by the hardware) for an application example.
LCD driver (LCD32B)	
LCD output	88SEG × 1–16COM (max.), 80SEG × 17–24COM (max.), 72SEG × 25–32COM (max.)
LCD contrast	16 levels
Other	1/5 or 1/4 bias power supply included, external voltage can be applied.
R/F converter (RFC)	
Conversion method	CR oscillation type with 24-bit counters
Number of conversion channels	1 channel (Up to two sensors can be connected.)
Supported sensors	DC-bias resistive sensors, AC-bias resistive sensors
Reset	
#RESET pin	Reset when the reset pin is set to low.
Power-on reset	Reset at power on.
Brownout reset	Reset when the power supply voltage drops (when V _{DD} ≤ 1.45 V (typ.) is detected).
Key entry reset	Reset when the P00 to P01/P02/P03 keys are pressed simultaneously (can be enabled/disabled using a register).
Watchdog timer reset	Reset when the watchdog timer overflows (can be enabled/disabled using a register).
Supply voltage detector reset	Reset when the supply voltage detector detects the set voltage level (can be enabled/disabled using a register).
Interrupt	
Non-maskable interrupt	6 systems (Reset, NMI, HardFault, SVCcall, PendSV, SysTic)
Programmable interrupt	External interrupt: 1 system Internal interrupt: 23 systems
Power supply voltage	
V _{DD} operating voltage	1.8 to 3.6 V
V _{DD} operating voltage for Flash programming	2.4 to 3.6 V (when V _{PP} is supplied externally) 2.4 to 3.6 V (when V _{PP} is generated internally)
V _{DD} operating voltage when LCD driver is used	2.5 to 3.6 V
Operating temperature	
Operating temperature range	-40 to 85 °C
Current consumption (Typ. value)	
SLEEP mode *2	0.4 μA IOSC = OFF, OSC1 = OFF, OSC3 = OFF 0.9 μA IOSC = OFF, OSC1 = ON, OSC3 = OFF, RTC = ON

Model	S1C31W74
Current consumption (Typ. value)	
HALT mode *3	1.7 μ A OSC1 = 32 kHz
	7.7 μ A OSC1 = 32 kHz, LCD = ON (no panel load)
RUN mode	250 μ A/MHz V _{D1} voltage mode = mode0, CPU = IOSC
	150 μ A/MHz V _{D1} voltage mode = mode1, CPU = IOSC
Shipping form	
1 *4	VFBGA8H-181 (P-VFBGA-181-0808-0.50, 8 × 8 mm, t = 1.0 mm, 0.5 mm pitch)
2	Die form (pad pitch: 80 μ m (min.))

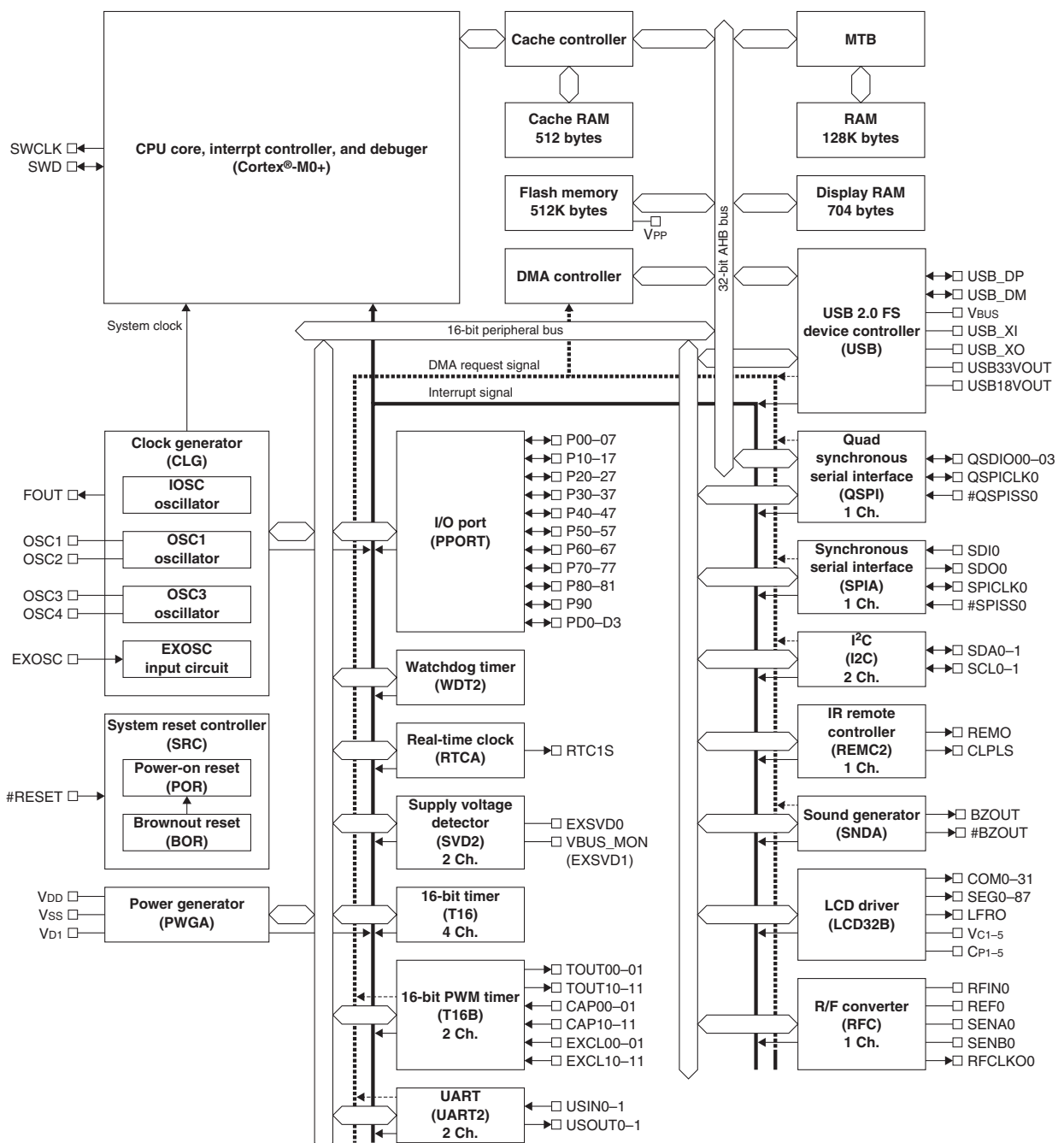
*1 The input filter in I2C (SDA and SCL inputs) does not comply with the standard for removing noise spikes less than 50 ns.

*2 SLEEP mode refers to deep sleep mode in the Cortex®-M0+ processor. The RAM retains data even in SLEEP mode.

*3 HALT mode refers to sleep mode in the Cortex®-M0+ processor.

*4 Shown in parentheses is a JEITA package name.

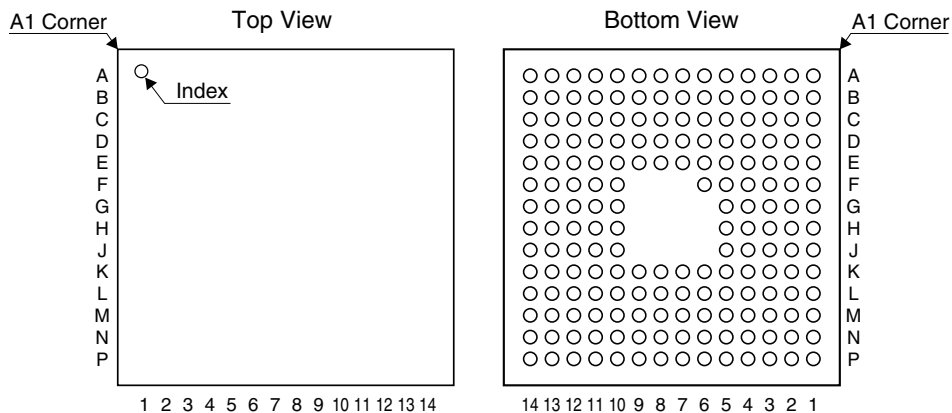
■ BLOCK DIAGRAM



S1C31W74

■ PIN CONFIGURATION DIAGRAMS

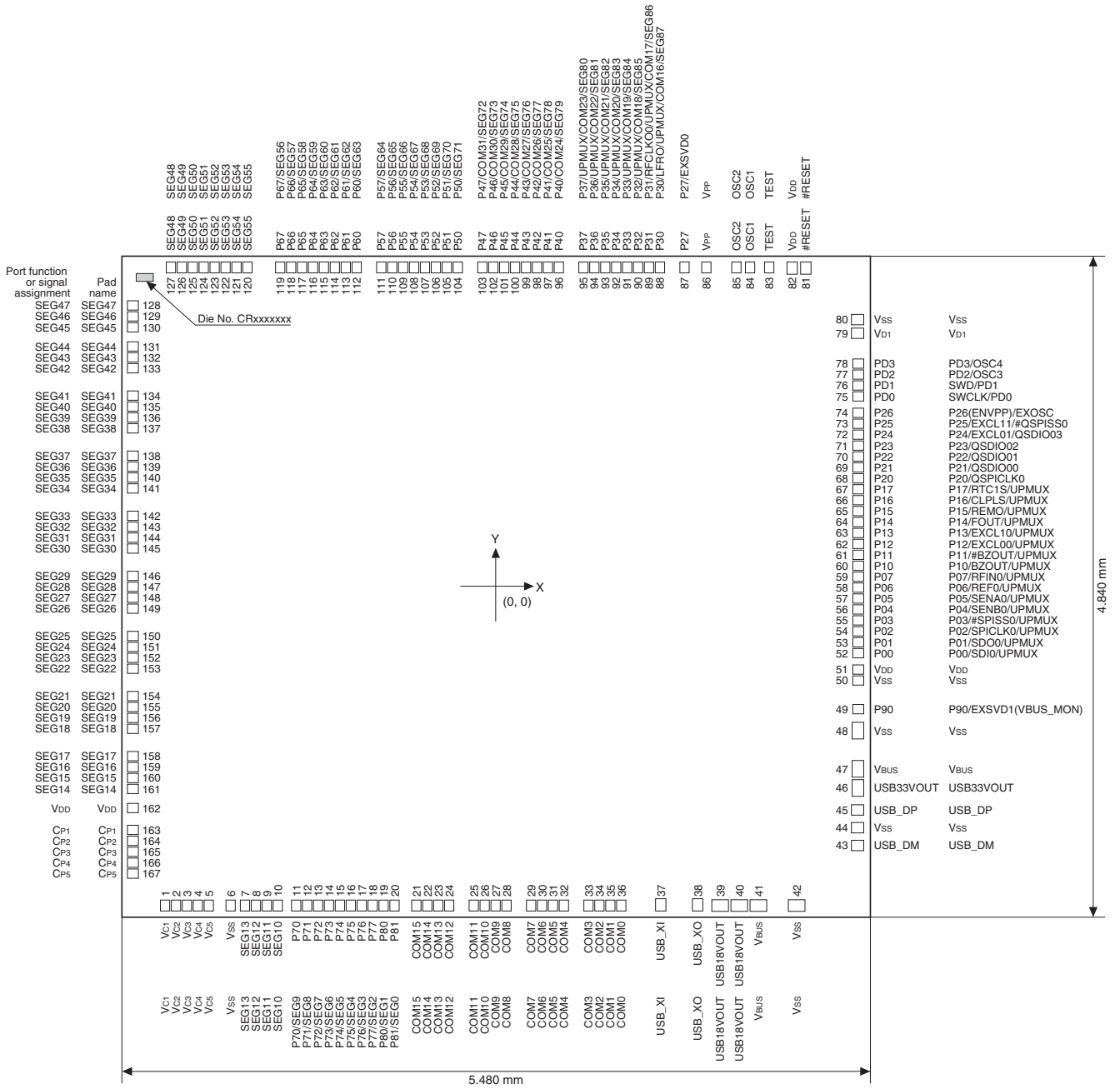
VF8GA8HX-181



	1	2	3	4	5	6	7	8	9	10	11	12	13	14		
A	N.C.	CP5	CP4	SEG14	SEG19	SEG23	SEG27	SEG31	SEG35	SEG39	SEG44	SEG45	SEG47	N.C.		
B	Vc3	Vc1	CP3	SEG15	SEG18	SEG22	SEG26	SEG30	SEG34	SEG38	SEG43	SEG46	SEG48	SEG50		
C	SEG13	Vc4	Vc2	CP1	SEG17	SEG21	SEG25	SEG29	SEG33	SEG37	SEG42	SEG49	SEG51	SEG52		
D	SEG10	P70 SEG9	SEG12	CP2	SEG16	SEG20	SEG24	SEG28	SEG32	SEG36	SEG53	SEG54	SEG55	P67 SEG56		
E	P75 SEG4	P73 SEG6	P71 SEG8	SEG11	Vc5	VDD	VDD	VSS	SEG40	SEG41	P66 SEG57	P65 SEG58	P64 SEG59	P63 SEG60		
F	P81 SEG0	P76 SEG3	P77 SEG2	P72 SEG7	VSS	VSS	Top View			P56 SEG65	P62 SEG61	P61 SEG62	P60 SEG63	P57 SEG64		
G	COM12	COM15	COM14	P80 SEG1	P74 SEG5					P51 SEG70	P55 SEG66	P54 SEG67	P53 SEG68	P52 SEG69		
H	COM8	COM11	COM10	COM13	VSS					VDD	P50 SEG71	P47 COM31 SEG72	P46 COM30 SEG73	P45 COM29 SEG74		
J	COM4	COM7	COM6	COM9	VSS					P40 COM24 SEG79	P44 COM28 SEG75	P43 COM27 SEG76	P42 COM26 SEG77	P41 COM25 SEG78		
K	COM0	COM3	COM2	COM5	VDD	VDD	P17 RTC1S UPMUX	P22 QSDIO01	VSS	P37 UPMUX COM23 SEG80	P33 UPMUX COM19 SEG84	P34 UPMUX COM20 SEG83	P36 UPMUX COM22 SEG81	P35 UPMUX COM21 SEG82		
L	USB_XI	USB18 VOUT	COM1	VSS	VSS	P12 EXCL00 UPMUX	P16 CLPLS UPMUX	P21 QSDIO00	P23 QSDIO02	VDD	P27 EXSVD0	P30 LFRO UPMUX COM16 SEG87	P32 UPMUX COM18 SEG85	P31 RFCLK00 UPMUX COM17 SEG86		
M	USB_XO	VSS	VBUS	VBUS	P00 SDI0 UPMUX	VSS	P11 #BZOUT UPMUX	P15 REMO UPMUX	P20 QSPICLK0	P26 (ENVPP) EXOSC	SWCLK PD0	TEST	VPP	OSC2		
N	VSS	VSS	USB33 VOUT	P90 EXSVD1 (VBUS_ MON)	P01 SDO0 UPMUX	P03 #SPISS0 UPMUX	P05 SENA0 UPMUX	P10 BZOUT UPMUX	P14 FOUT UPMUX	P24 EXCL01 QSDIO03	SWD PD1	Vd1	#RESET	OSC1		
P	N.C.	USB_DM	USB_DP	VSS	P02 SPICLK0 UPMUX	P04 SENB0 UPMUX	P06 REF0 UPMUX	P07 RFIN0 UPMUX	P13 EXCL10 UPMUX	P25 EXCL11 #QSPISS0	PD2 OSC3	PD3 OSC4	VSS	N.C.		

S1C31W74

Chip



S1C31W74

■ PIN DESCRIPTIONS

Symbol meanings

Assigned signal: The signal listed at the top of each pin is assigned in the initial state. The pin function must be switched via software to assign another signal (see the “I/O Ports” chapter).

I/O:	I	= Input
	O	= Output
	I/O	= Input/output
	P	= Power supply
	A	= Analog signal
	Hi-Z	= High impedance state
Initial state:	I (Pull-up)	= Input with pulled up
	I (Pull-down)	= Input with pulled down
	Hi-Z	= High impedance state
	O (H)	= High level output
	O (L)	= Low level output

Tolerant fail-safe structure:



= Over voltage tolerant fail-safe type I/O cell included (see the “I/O Ports” chapter)

The over voltage tolerant fail-safe type I/O cell allows interfacing without passing unnecessary current even if a voltage exceeding V_{DD} is applied to the port. Also unnecessary current is not consumed when the port is externally biased without supplying V_{DD} .

Pin name	Assigned signal	I/O	Initial state	Tolerant fail-safe structure	Function
V_{DD}	V_{DD}	P	–	–	Power supply (+)
V_{SS}	V_{SS}	P	–	–	GND
V_{PP}	V_{PP}	P	–	–	Power supply for Flash programming
V_{D1}	V_{D1}	A	–	–	V_{D1} regulator output
V_{C1-5}	V_{C1-5}	P	–	–	LCD panel driver power supply
$CP1-5$	$CP1-5$	A	–	–	LCD power supply booster capacitor connect pins
OSC1	OSC1	A	–	–	OSC1 oscillator circuit input
OSC2	OSC2	A	–	–	OSC1 oscillator circuit output
TEST	TEST	I	I (Pull-down)	–	Test mode enable input
#RESET	#RESET	I	I (Pull-up)	–	Reset input
P00	P00	I/O	Hi-Z	–	I/O port
	SDI0	I			Synchronous serial interface Ch.0 data input
	UPMUX	I/O			User-selected I/O (universal port multiplexer)
P01	P01	I/O	Hi-Z	–	I/O port
	SDO0	O			Synchronous serial interface Ch.0 data output
	UPMUX	I/O			User-selected I/O (universal port multiplexer)
P02	P02	I/O	Hi-Z	–	I/O port
	SPICLK0	I/O			Synchronous serial interface Ch.0 clock input/output
	UPMUX	I/O			User-selected I/O (universal port multiplexer)
P03	P03	I/O	Hi-Z	–	I/O port
	#SPISS0	I			Synchronous serial interface Ch.0 slave-select input
	UPMUX	I/O			User-selected I/O (universal port multiplexer)
P04	P04	I/O	Hi-Z	–	I/O port
	SENB0	A			R/F converter Ch.0 sensor B oscillator pin
	UPMUX	I/O			User-selected I/O (universal port multiplexer)
P05	P05	I/O	Hi-Z	–	I/O port
	SENA0	A			R/F converter Ch.0 sensor A oscillator pin
	UPMUX	I/O			User-selected I/O (universal port multiplexer)
P06	P06	I/O	Hi-Z	–	I/O port
	REF0	A			R/F converter Ch.0 reference oscillator pin
	UPMUX	I/O			User-selected I/O (universal port multiplexer)
P07	P07	I/O	Hi-Z	–	I/O port
	RFIN0	A			R/F converter Ch.0 oscillation input
	UPMUX	I/O			User-selected I/O (universal port multiplexer)
P10	P10	I/O	Hi-Z	–	I/O port
	BZOUT	O			Sound generator output
	UPMUX	I/O			User-selected I/O (universal port multiplexer)

Pin name	Assigned signal	I/O	Initial state	Tolerant fail-safe structure	Function
P11	P11	I/O	Hi-Z	-	I/O port
	#BZOUT	O			Sound generator inverted output
	UPMUX	I/O			User-selected I/O (universal port multiplexer)
P12	P12	I/O	Hi-Z	-	I/O port
	EXCL00	I			16-bit PWM timer Ch.0 event counter input 0
	UPMUX	I/O			User-selected I/O (universal port multiplexer)
P13	P13	I/O	Hi-Z	-	I/O port
	EXCL10	I			16-bit PWM timer Ch.1 event counter input 0
	UPMUX	I/O			User-selected I/O (universal port multiplexer)
P14	P14	I/O	Hi-Z	-	I/O port
	FOUT	O			Clock external output
	UPMUX	I/O			User-selected I/O (universal port multiplexer)
P15	P15	I/O	Hi-Z	-	I/O port
	REMO	O			IR remote controller transmit data output
	UPMUX	I/O			User-selected I/O (universal port multiplexer)
P16	P16	I/O	Hi-Z	-	I/O port
	CLPLS	O			IR remote controller clear pulse output
	UPMUX	I/O			User-selected I/O (universal port multiplexer)
P17	P17	I/O	Hi-Z	-	I/O port
	RTC1S	O			Real-time clock 1-second cycle pulse output
	UPMUX	I/O			User-selected I/O (universal port multiplexer)
P20	P20	I/O	Hi-Z	-	I/O port
	QSPICLK0	I/O			Quad synchronous serial interface Ch.0 clock input/output
P21	P21	I/O	Hi-Z	-	I/O port
	QSDIO00	I/O			Quad synchronous serial interface Ch.0 data input/output
P22	P22	I/O	Hi-Z	-	I/O port
	QSDIO01	I/O			Quad synchronous serial interface Ch.0 data input/output
P23	P23	I/O	Hi-Z	-	I/O port
	QSDIO02	I/O			Quad synchronous serial interface Ch.0 data input/output
P24	P24	I/O	Hi-Z	-	I/O port
	EXCL01	I			16-bit PWM timer Ch.0 event counter input 1
	QSDIO03	I/O			Quad synchronous serial interface Ch.0 data input/output
P25	P25	I/O	Hi-Z	-	I/O port
	EXCL11	I			16-bit PWM timer Ch.1 event counter input 1
	#QSPISS0	I/O			Quad synchronous serial interface Ch.0 slave-select input/output
P26	P26 (ENVPP)	I/O	Hi-Z	-	I/O port (Flash programming control signal output)
	EXOSC	I			Clock generator external clock input
P27	P27	I/O	Hi-Z	✓	I/O port
	EXSVD0	A			Supply voltage detector Ch.0 external voltage detection input
P30	P30	I/O	Hi-Z	✓	I/O port
	LFRO	O			LCD frame signal monitor output
	UPMUX	I/O			User-selected I/O (universal port multiplexer)
	COM16	A			LCD common output
P31	SEG87	A	Hi-Z	✓	LCD segment output
	P31	I/O			I/O port
	RFCLK00	O			R/F converter Ch.0 clock monitor output
	UPMUX	I/O			User-selected I/O (universal port multiplexer)
P32	COM17	A	Hi-Z	✓	LCD common output
	SEG86	A			LCD segment output
	P32	I/O			I/O port
	UPMUX	I/O			User-selected I/O (universal port multiplexer)
P33	COM18	A	Hi-Z	✓	LCD common output
	SEG85	A			LCD segment output
	UPMUX	I/O			User-selected I/O (universal port multiplexer)
	COM19	A			LCD common output
P34	SEG84	A	Hi-Z	✓	LCD segment output
	P34	I/O			I/O port
	UPMUX	I/O			User-selected I/O (universal port multiplexer)
	COM20	A			LCD common output
	SEG83	A			LCD segment output

S1C31W74

Pin name	Assigned signal	I/O	Initial state	Tolerant fail-safe structure	Function
P35	P35	I/O	Hi-Z	✓	I/O port
	UPMUX	I/O			User-selected I/O (universal port multiplexer)
	COM21	A			LCD common output
	SEG82	A			LCD segment output
P36	P36	I/O	Hi-Z	✓	I/O port
	UPMUX	I/O			User-selected I/O (universal port multiplexer)
	COM22	A			LCD common output
	SEG81	A			LCD segment output
P37	P37	I/O	Hi-Z	✓	I/O port
	UPMUX	I/O			User-selected I/O (universal port multiplexer)
	COM23	A			LCD common output
	SEG80	A			LCD segment output
P40	P40	I/O	Hi-Z	✓	I/O port
	COM24	A			LCD common output
	SEG79	A			LCD segment output
P41	P41	I/O	Hi-Z	✓	I/O port
	COM25	A			LCD common output
	SEG78	A			LCD segment output
P42	P42	I/O	Hi-Z	✓	I/O port
	COM26	A			LCD common output
	SEG77	A			LCD segment output
P43	P43	I/O	Hi-Z	✓	I/O port
	COM27	A			LCD common output
	SEG76	A			LCD segment output
P44	P44	I/O	Hi-Z	✓	I/O port
	COM28	A			LCD common output
	SEG75	A			LCD segment output
P45	P45	I/O	Hi-Z	✓	I/O port
	COM29	A			LCD common output
	SEG74	A			LCD segment output
P46	P46	I/O	Hi-Z	✓	I/O port
	COM30	A			LCD common output
	SEG73	A			LCD segment output
P47	P47	I/O	Hi-Z	✓	I/O port
	COM31	A			LCD common output
	SEG72	A			LCD segment output
P50	P50	I/O	Hi-Z	✓	I/O port
	SEG71	A			LCD segment output
P51	P51	I/O	Hi-Z	✓	I/O port
	SEG70	A			LCD segment output
P52	P52	I/O	Hi-Z	✓	I/O port
	SEG69	A			LCD segment output
P53	P53	I/O	Hi-Z	✓	I/O port
	SEG68	A			LCD segment output
P54	P54	I/O	Hi-Z	✓	I/O port
	SEG67	A			LCD segment output
P55	P55	I/O	Hi-Z	✓	I/O port
	SEG66	A			LCD segment output
P56	P56	I/O	Hi-Z	✓	I/O port
	SEG65	A			LCD segment output
P57	P57	I/O	Hi-Z	✓	I/O port
	SEG64	A			LCD segment output
P60	P60	I/O	Hi-Z	✓	I/O port
	SEG63	A			LCD segment output
P61	P61	I/O	Hi-Z	✓	I/O port
	SEG62	A			LCD segment output
P62	P62	I/O	Hi-Z	✓	I/O port
	SEG61	A			LCD segment output
P63	P63	I/O	Hi-Z	✓	I/O port
	SEG60	A			LCD segment output
P64	P64	I/O	Hi-Z	✓	I/O port
	SEG59	A			LCD segment output

Pin name	Assigned signal	I/O	Initial state	Tolerant fail-safe structure	Function
P65	P65	I/O	Hi-Z	✓	I/O port
	SEG58	A			LCD segment output
P66	P66	I/O	Hi-Z	✓	I/O port
	SEG57	A			LCD segment output
P67	P67	I/O	Hi-Z	✓	I/O port
	SEG56	A			LCD segment output
P70	P70	I/O	Hi-Z	✓	I/O port
	SEG9	A			LCD segment output
P71	P71	I/O	Hi-Z	✓	I/O port
	SEG8	A			LCD segment output
P72	P72	I/O	Hi-Z	✓	I/O port
	SEG7	A			LCD segment output
P73	P73	I/O	Hi-Z	✓	I/O port
	SEG6	A			LCD segment output
P74	P74	I/O	Hi-Z	✓	I/O port
	SEG5	A			LCD segment output
P75	P75	I/O	Hi-Z	✓	I/O port
	SEG4	A			LCD segment output
P76	P76	I/O	Hi-Z	✓	I/O port
	SEG3	A			LCD segment output
P77	P77	I/O	Hi-Z	✓	I/O port
	SEG2	A			LCD segment output
P80	P80	I/O	Hi-Z	✓	I/O port
	SEG1	A			LCD segment output
P81	P81	I/O	Hi-Z	✓	I/O port
	SEG0	A			LCD segment output
P90	P90	I/O	Hi-Z	✓	I/O port
	EXSVD1 (VBUS_MON)	A			Supply voltage detector Ch.1 external voltage detection input (Vbus voltage detection input)
PD0	SWCLK	I	I (Pull-up)	-	Serial-wire debugger clock input
	PD0	I/O			I/O port
PD1	SWD	I/O	I (Pull-up)	-	Serial-wire debugger data input/output
	PD1	I/O			I/O port
PD2	PD2	I/O	Hi-Z	-	I/O port
	OSC3	A			OSC3 oscillator circuit input
PD3	PD3	I/O	Hi-Z	-	I/O port
	OSC4	A			OSC3 oscillator circuit output
COM0-15	COM0-15	A	Hi-Z	-	LCD common output
SEG10-55	SEG10-55	A	Hi-Z	-	LCD segment output
USB_DP	USB_DP	I/O	I	-	USB D+ signal input/output
USB_DM	USB_DM	I/O	I	-	USB D- signal input/output
VBUS	VBUS	P	-	-	USB Vbus input (5 V input allowed)
USB_XI	USB_XI	A	-	-	USBOSC oscillator circuit input
USB_XO	USB_XO	A	-	-	USBOSC oscillator circuit output
USB18VOUT	USB18VOUT	P	-	-	USB 1.8 V regulator output
USB33VOUT	USB33VOUT	P	-	-	USB 3.3 V regulator output

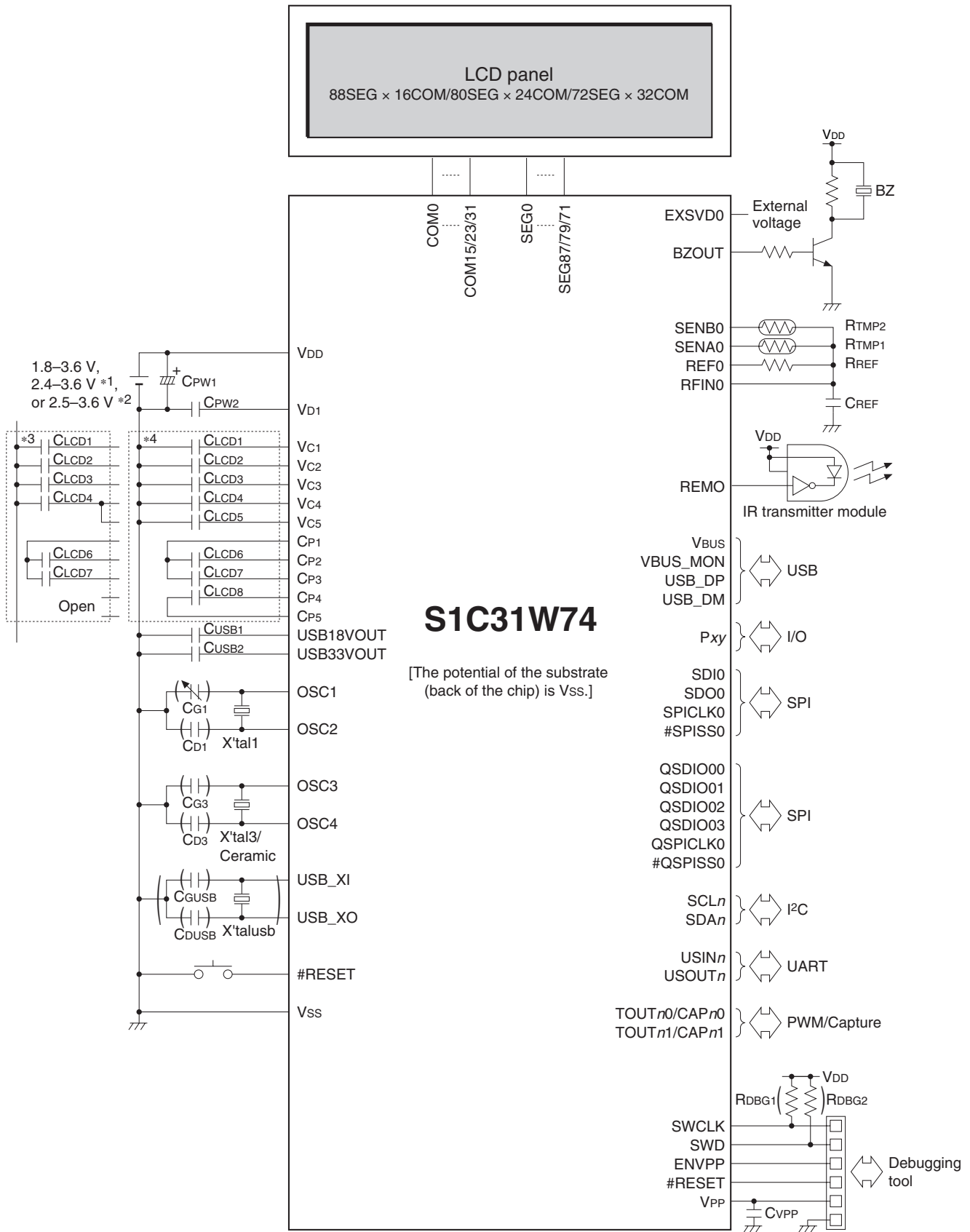
Universal port multiplexer (UPMUX)

The universal port multiplexer (UPMUX) allows software to select the peripheral circuit input/output function to be assigned to each pin from those listed below. Note, however, that a function cannot be assigned to two or more pins simultaneously.

Peripheral circuit	Signal to be assigned	I/O	Channel number n	Function
I ² C (I2C)	SCL n	I/O	$n = 0, 1$	I ² C Ch. n clock input/output
	SDA n	I/O		I ² C Ch. n data input/output
UART (UART2)	USIN n	I	$n = 0, 1$	UART2 Ch. n data input
	USOUT n	O		UART2 Ch. n data output
16-bit PWM timer (T16B)	TOUT n 0/CAP n 0	I/O	$n = 0, 1$	T16B Ch. n PWM output/capture input 0
	TOUT n 1/CAP n 1	I/O		T16B Ch. n PWM output/capture input 1

S1C31W74

■ BASIC EXTERNAL CONNECTION DIAGRAM



- *1: For Flash programming
- *2: When the LCD driver is used
- *3: When 1/4 bias is selected
- *4: When 1/5 bias is selected
- (): Do not mount components if unnecessary.

NOTICE : PLEASE READ CAREFULLY BELOW BEFORE USING THIS DOCUMENT

The contents of this document are subject to change without notice.

1. This document may not be copied, reproduced, or used for any other purpose, in whole or in part, without the consent of the Seiko Epson Corporation ("Epson").
2. Before purchasing or using Epson products, please contact our sales representative for the latest information and always be sure to check the latest information published on Epson's official web sites and other sources.
3. Information provided in this document such as application circuits, programs, usage, etc., are for reference purposes only. Using the application circuits, programs, usage, etc. in the design of your equipment or systems is your own responsibility. Epson makes no guarantees against any infringements or damages to any third parties' intellectual property rights or any other rights resulting from the information. This document does not grant you any licenses, intellectual property rights or any other rights with respect to Epson products owned by Epson or any third parties.
4. Epson is committed to constantly improving quality and reliability, but semiconductor products in general are subject to malfunction and failure. By using Epson products, you shall be responsible for your hardware. Software and systems must be designed well enough to prevent death or injury as well as any property damage even if any of the malfunctions or failures might be caused by Epson products. When designing your products using Epson products, please be sure to check and comply with the latest information regarding Epson products (this document, specifications, data sheets, manuals, Epson's web site, etc.). When using the information included above materials such as product data, charts, technical contents, programs, algorithms and application circuit examples, you shall evaluate your products both on a stand-alone basis as well as within your overall systems. You shall be solely responsible for deciding whether or not to adopt and use Epson products.
5. Epson has prepared this document and programs provided in this document carefully to be accurate and dependable, but Epson does not guarantee that the information and the programs are always accurate and complete. Epson assumes no responsibility for any damages which you incur due to misinformation in this document and the programs.
6. No dismantling, analysis, reverse engineering, modification, alteration, adaptation, reproduction, etc., of Epson products is allowed.
7. Epson products have been designed, developed and manufactured to be used in general electronic applications (office equipment, communications equipment, measuring instruments, home electronics, etc.) and applications individually listed in this document ("General Purpose"). Epson products are NOT intended for any use beyond the General Purpose uses that requires particular/higher quality or reliability in order to refrain from causing any malfunction or failure leading to death, injury, serious property damage or severe impact on society, including, but not limited to those listed below. Therefore, you are advised to use Epson products only for General Purpose uses. Should you desire to buy and use Epson products for a particular purpose other than a General Purpose use, Epson makes no warranty and disclaims with respect to Epson products, whether express or implied, including without limitation any implied warranty of merchantability or fitness for any particular purpose. Please be sure to contact our sales representative and obtain approval in advance.
 - [Particular purpose]
 - Space equipment (artificial satellites, rockets, etc.)
 - Transportation vehicles and their control equipment (automobiles, aircraft, trains, ships, etc.)
 - Medical equipment (other than applications individually listed in this document) / Relay equipment to be placed on ocean floor
 - Power station control equipment / Disaster or crime prevention equipment / Traffic control equipment / Financial equipment
 - Other applications requiring similar levels of reliability as those listed above
8. Epson products listed in this document and our associated technologies shall not be used in any equipment or systems that laws and regulations in Japan or any other countries prohibit to manufacture, use or sell. Furthermore, Epson products and our associated technologies shall not be used for developing weapons of mass destruction, or any other military purposes or applications. If exporting Epson products or our associated technologies, you shall comply with the Foreign Exchange and Foreign Trade Control Act in Japan, Export Administration Regulations in the U.S.A. (EAR) and other export-related laws and regulations in Japan and any other countries and follow the required procedures as provided by the relevant laws and regulations.
9. Epson assumes no responsibility for any damages (whether direct or indirect) caused by or in relation with your non-compliance with the terms and conditions in this document.
10. Epson assumes no responsibility for any damages (whether direct or indirect) incurred by any third party that you assign, transfer, loan, etc., Epson products to.
11. For more details or other concerns about this document, please contact our sales representative.
12. Company names and product names listed in this document are trademarks or registered trademarks of their respective companies.

(Rev. e1.0, 2021.9)

©Seiko Epson Corporation 2022, All rights reserved.

SEIKO EPSON CORPORATION

Sales & Marketing Division

MD Sales & Marketing Department
JR Shinjuku Miraina Tower, 4-1-6 Shinjuku,
Shinjuku-ku, Tokyo 160-8801, Japan

Epson semiconductor website

https://global.epson.com/products_and_drivers/semicon/

Document Code: 413119002
First Issue October 2015
Revised August 2022 in JAPAN ©

Mouser Electronics

Authorized Distributor

Click to View Pricing, Inventory, Delivery & Lifecycle Information:

Epson:

[S1C31W74B201000](#) [S1C31W74B201000-348](#)